



TECHNICAL SHEET



WASHING GUNS

Description



NORMAL WASHING GUN



800 mm S. STEEL WASHING GUN

3/4" and 1/2" Washing gun kits (500 mm lance)

3/4" and 1/2" washing gun kits with flat nozzle, swivel joint and reduction and a 500 mm lance.

Long version 1/2" stainless steel washing gun (800 mm lance)

Long version 1/2" stainless steel washing gun with a 800 mm lance.

Technical data

3/4" and 1/2" washing guns with lance (500 mm)

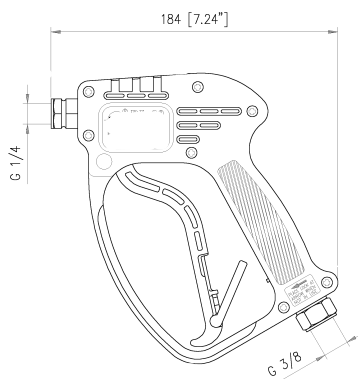
Max pressure allowed	350 bar / 35 MPa
Max flowrate	40 l/min

Long version 1/2" washing gun with lance (800 mm)

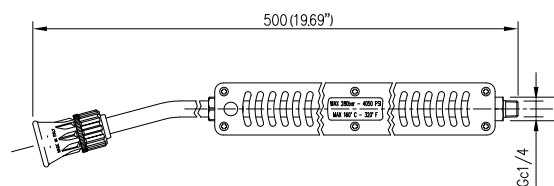
Max pressure allowed	390 bar / 39 MPa
Max flowrate	30 l/min

Dimensions

3/4" AND 1/2" WASHING GUN WITH LANCE

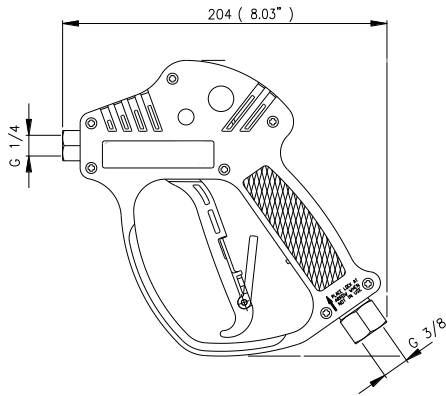


GUN

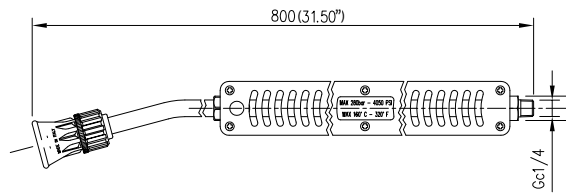


LANCE

LONG VERSION 1/2" WASHING GUN WITH LANCE



GUN



LANCE

Versions

description	code	weight
3/4" washing gun kit (with swivel, nozzle and nipple)	6.481201980-2	1,43 kg
1/2" washing gun kit (with swivel, nozzle and nipple)	6.481201990-2	1,39 kg
Long version 1/2" washing gun with lance (800 mm)	49346000012	1 kg

Examples of application





MORO KAISER **COMPONENTS**

MORO KAISER S.R.L.

Via Pontebbana, 16
33080 FIUME VENETO (PN) ITALY

Tel. 0434 951.211

Fax: 0434 957.786

infomoro@morokaiser.it