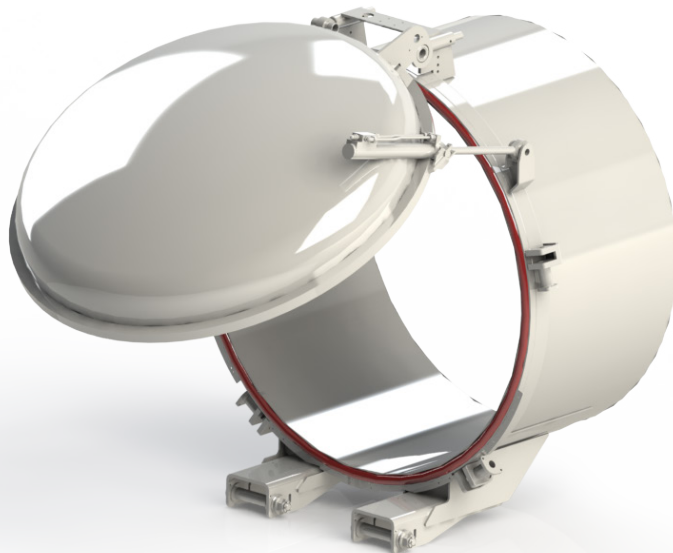


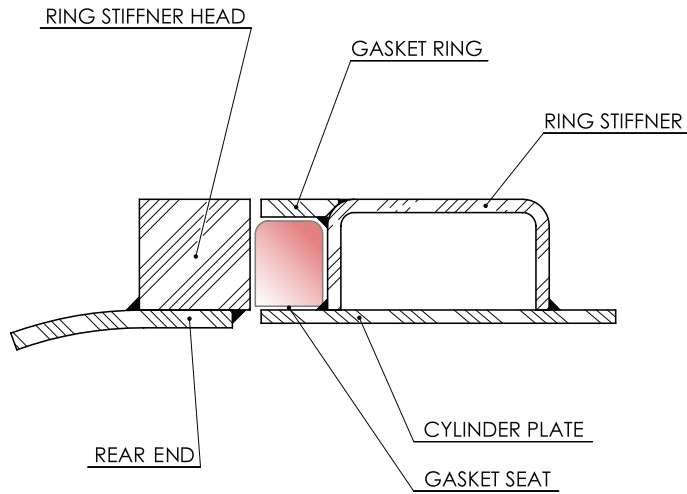


**TECHNICAL SHEET**



**REAR DOOR GASKETS**

## Description



## REAR DOOR GASKETS

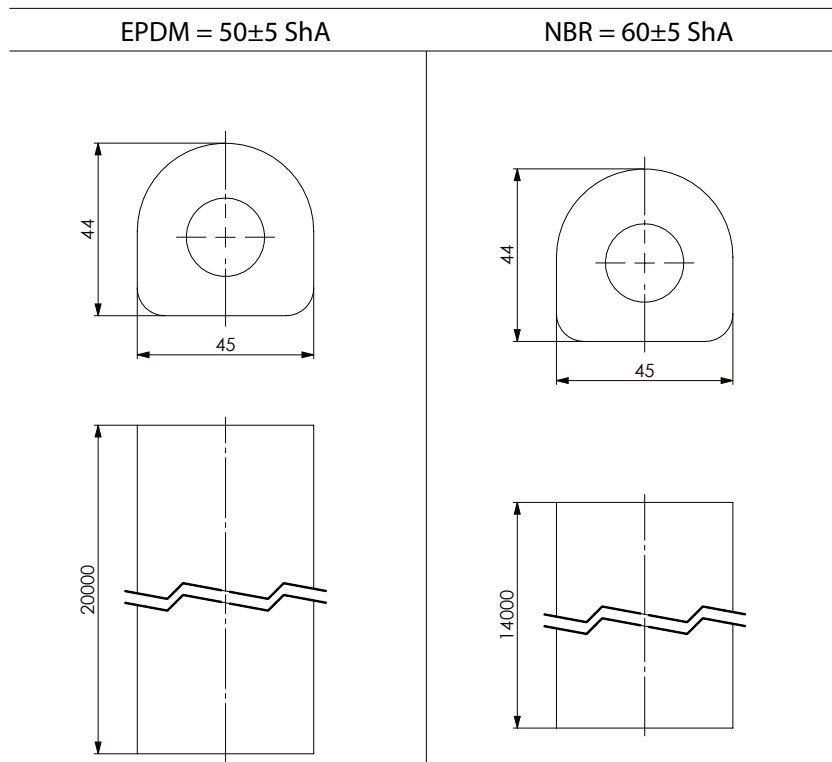
- **EPDM type**

Rear door gasket tank 20 mts roller for normal liquid using with Manual and Hydraulic closing clamps.

- **NBR type**

Rear door gasket tank 14 mts roller for aggressive liquid and oil also using with Manual and Hydraulic closing clamps.

## Dimensions



## Technical data

Materials	EPDM	NBR
Hardness	50±5 ShA	60±5 ShA
Weight	1,45 kg/mt	1,6 kg/mt

## Versions

description	code
Rear door gasket - EPDM type	6.680504850-1
Rear door gasket - NBR type	44396000008

## Examples of application





# **MORO KAISER** **COMPONENTS**

**MORO KAISER S.R.L.**

Via Pontebbana, 16  
33080 FIUME VENETO (PN) ITALY

Tel. 0434 951.211

Fax: 0434 957.786

[infomoro@morokaiser.it](mailto:infomoro@morokaiser.it)